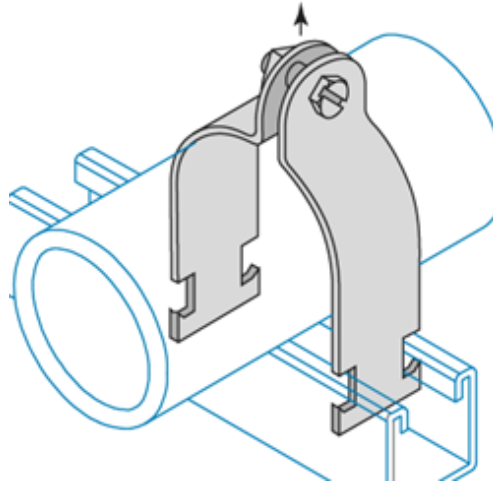



[\(../default.aspx\)](#)

Menu

[Home \(default.aspx\)](#) → [Channel Acc. \(/c-20-channel-acc.aspx\)](#) → [Strut Clamps \(/c-35-strut-clamps.aspx\)](#) → [Rig A Strut Clamps](#)



[View Larger Image](#)

[Contact Us About This Product > \(product-form.aspx?p=Rig%20A%20Strut%20Clamps\)](#)

Rig A Strut Clamps

Call to order - 704-375-0776

Catalog Number	Pipe Size		O.D.		Design Load		WT.
	inch	metric	in.	mm	lbs	kN	lbs.
RIG-A-1/4-EG	1/4	6	0.540	13.7	400	1.78	0.09
RIG-A-3/8-EG	3/8	10	0.675	17.1	400	1.78	0.09
RIG-A-1/2-EG	1/2	15	0.840	21.3	400	1.78	0.10
RIG-A-3/4-EG	3/4	20	1.050	26.7	600	2.67	0.13
RIG-A-1-EG	1	25	1.315	33.4	600	2.67	0.15
RIG-A-1 1/4-EG	1-1/4	32	1.660	42.2	600	2.67	0.17

RIG-A-1 1/2-EG	1-1/2	40	1.900	48.3	800	3.56	0.29
RIG-A-2-EG	2	50	2.375	60.3	800	3.56	0.33
RIG-A-2 1/2-EG	2-1/2	65	2.875	73.0	800	3.56	0.39
RIG-A-3-EG	3	80	3.500	88.9	800	3.56	0.43
RIG-A-3 1/2-EG	3-1/2	90	4.000	101.6	1000	4.45	0.57
RIG-A-4-EG	4	100	4.500	114.3	1000	4.45	0.62
RIG-A-5-EG	5	125	5.562	141.3	1000	4.45	0.73
RIG-A-6-EG	6	150	6.625	168.3	1000	4.45	0.85
RIG-A-8-EG	8	200	8.625	219.1	1000	4.45	1.07
RIG-A-10-EG	10	250	10.750	273.1	1000	4.45	1.27
RIG-A-12-EG	12	300	12.750	323.9	1000	4.45	1.49

AVAILABLE FINISHES

EG- ELECTRO-GALVANIZED

GD- YELLOW CHROMATE

HD - HOT DIPPED GALVANIZED

S4 - 304 STAINLESS STEEL

S6 - 316 STAINLESS STEEL

AL - ALUMINUM

Copyright© 2015 Power-Utility Products Co. All Rights Reserved. Powered by CC Communications, Inc.
(<http://www.cccommunications.com>)